

# Motorized Rheostats

High Precision Proportional Controls for automating analog driven devices for high wattage. Rheostats are designed and manufactured to operate smoothly and reliably over long periods of use. Used for equipment requiring convenient variable resistance settings. Windings are linear taper and tolerance  $\pm 10\%$ . Wattage based on 25°C.

Panel Mount units.  
Standard Wattage values 25, 50 and 100 Watt.

Both AC reversible motors and limited DC motors are available.



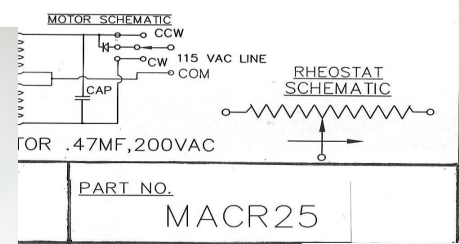
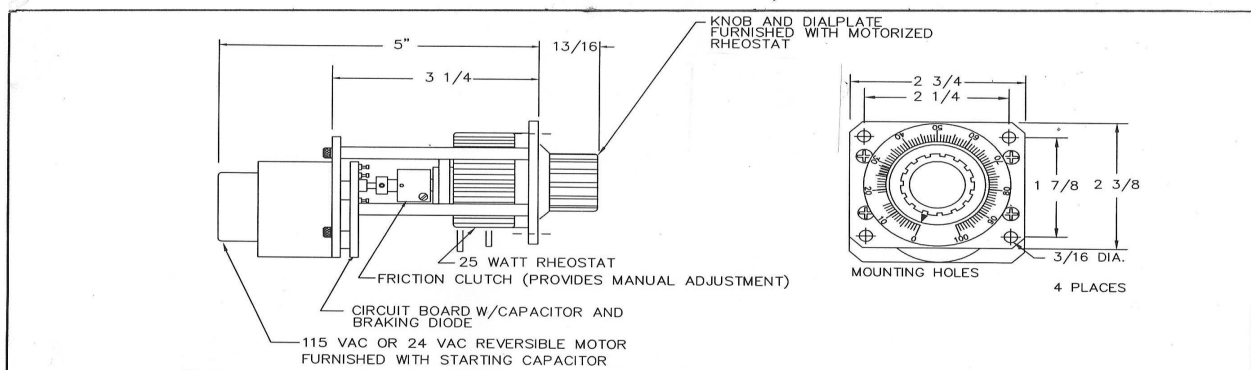
### Resistances available:

**25 Watt**  
1, 2, 3, 6, 8, 10, 15, 25, 35, 50, 75, 100, 125, 175, 250, 350, 500, 750 ohm, 1K, 1.5K, 2.5K, 3.5K, 5K, 10K, 15K, 25K

**50 Watt**  
0.5, 1, 2, 4, 6, 8, 12, 16, 22, 35, 50, 80, 125, 150, 225, 300, 500, 800 ohm, 1K, 1.6K, 2.5K, 3.5K, 5K, 10K, 50K

**100 Watt**  
1, 2, 5, 7.5, 10, 16, 25, 50, 100, 200, 300, 500, 750 ohm, 1K, 5K, 10K

<u>Wattage</u>	<u>AC Model</u> 115 VAC RPM, 1, 2, 3, and 5	<u>DC Model</u> 6, 12 or 24 VDC RPM 1 and 2
25 Watt	MACR25	MCR25
50 Watt	MACR50	MCR50
100 Watt	MACR100	



**ole** On Line Controls Inc.



On Line Controls, Inc, 697 Hartford Tpke Ste E, Shrewsbury, MA 01545 USA  
[www.onlinecontrols.com](http://www.onlinecontrols.com)  
 Phone: 978-562-5353 \* Fax: 978-562-8986 \* Email: [olc@onlinecontrols.com](mailto:olc@onlinecontrols.com)