

DC Motorized Potentiometers

DC Voltage

Type	Watt	Resistance	Description	Model
Single turn Wirewound	0.5	50 ohm to 20K Standard	General Purpose with gold plated terminals. Pot life expectancy 500,000 turns	MC2E
Single turn Wirewound	0.5	1K/1K, 2K/2K, 5K/5K, 10K/10K, 3K/3K, 5K/10K	Dual Gang for feedback systems. Same type potentiometer as MC2E. Pot life expectancy 500,000 turns	MC2ED
Single turn Conductive plastic	1	50 ohm to 20K Standard	General Purpose with gold plated terminals. Life expectancy 10 million turns.	MC2P
Single turn Conductive plastic	1	1K/1K, 2K/2K, 5K/5K, 10K/10K, 3K/3K, 5K/10K	Dual Gang for feedback systems. Same type potentiometer as MC2P. Pot life expectancy 10 million turns.	MC2PD
Single turn Conductive plastic	1	500 ohm to 100K	One piece Japanese motor geartrain used 24 VDC, 20 RPM normal. Same pot as MC2P.	ME2P
3 turn hybrid	2	1K to 100K	Hybrid element in high impact housing. Longer rotational life. Life expectancy 10 million turns.	MC5146B
10 turn Wirewound	2	100 ohm to 100K	General Purpose—in housing. Long life (two million turns). High reliability, space saving design.	MC20-1
10 turn Wirewound	2	100 ohm to 100K	Same high quality as MC20-1 in rugged, open-frame cage	MC20A
10 turn Wirewound	2	1K/1K, 2K/2K, 5K/5K, 10K/10K, 2K/3K, 5K/10K	Dual gang for feedback systems. Same as type potentiometer as MC20A. One pot section for control, the other supplies position to your system.	MC20-2
10 turn Wirewound	2	100 ohm to 100K	High Temp Thermo Plastic Housing for industrial applications. Pot life expectancy 1 million turns.	MC2W
10 turn Wirewound	2	5K/5K/5K normal Others available	Triple gang potentiometer for feedback.	MC5022
10 turn Wirewound	2	100 ohm to 100K	One piece Japanese motor geartrain used 24VDC, 20 RPM normal Live Expectancy: 1 million turns	ME2W
10 turn Wirewound	5	100 ohm to 100K Normal 1K	Approximately 2" diameter, Potentiometer has ball bearings, Life expectancy: 2 million turns	MC5168
10 turn Wirewound	5	10 ohm to 100K Normal 1K	Dual Gang with ball bearings. Life expectancy: 2 million turns	MC5215
10 turn Wirewound	5	10 ohm to 100K	Snap action switches at each end of travel, Life expectance 2 million turns.	MC46-2
10 turn Wirewound	5	10 ohm to 100K	Dual Gang, Snap Action Switches at each end of travel	MC46-4



MC5168



MC20-1



MC20-2

olc On Line Controls Inc.

On Line Controls, Inc, 697 Hartford Tpke Ste E, Shrewsbury, MA 01545 USA
Phone: 978-562-5353 * Fax: 978-562-8986 * Email: olc@onlinecontrols.com

CHECK OUT OUR WEBSITE: WWW.ONLINECONTROLS.COM

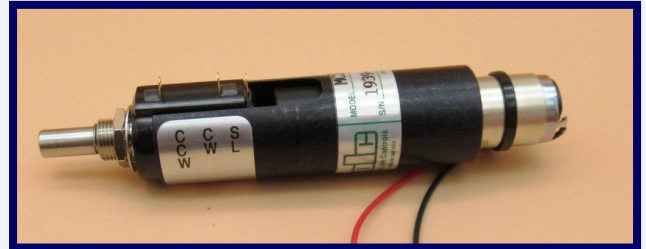
DC Motorized Potentiometers

Selection Guide

Motorized Potentiometers are high precision proportional controls for automating analog driven devices. Each model contains a slip clutch to protect the potentiometers end stops, prevents gear train breakage, and allows for manual adjustment when motor is off. Our motor pots combine pot, gear and motor in a small, efficient package.

Specify when ordering:

1. Model
2. Ohmage
3. Voltage
4. RPM



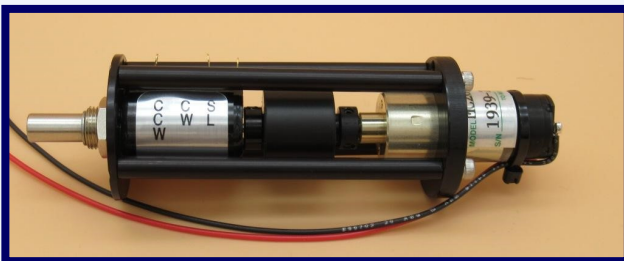
MC20-1-10K-6VDC-12RPM

Potentiometer considerations:

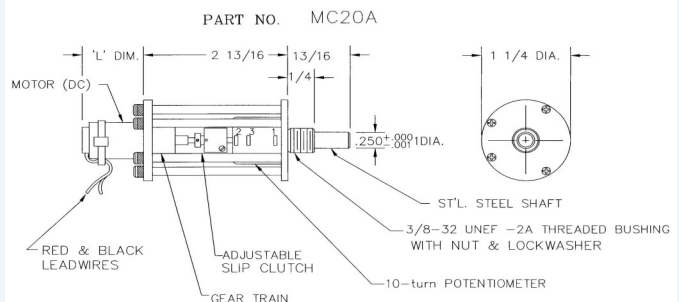
1. Resistance value (ohmage).
10, 20, 50, 100, 200, 500 ohms, 1K, 2K, 5K, 10K, 20K, 50K and 100K depending on model.**
2. Wattage (0.5, 1, 2, or 5 watt)
3. Type
 - A. Conductive Plastic element for long life and essentially infinite resolution.
For use when wiper current will not exceed 5 milliamps.
 - B. Wirewound element for better stability and lower temperature coefficient.
For when using the potentiometer as variable resistor.
Wiper current must not exceed 50 milliamps
 - C. Hybrid element is made with conductive plastic over a wirewound element.
Lower inductance, better resolution and longer life.
4. Single-turn (for low resolution applications) or Multi-turn (10-turn)
The longer resistive element of a multi-turn provides better power, linearity and setability than a single turn potentiometer.
5. Single, dual or triple gang for feedback purposes.

Motor Considerations:

1. Operating Voltage—
6 VDC, 12 VDC or 24 VDC
1. RPM (turns per minute) desired.
Normal 1, 3, 5, 10, 18, 35, 61, or 120
Other RPM's are available.
+/- 20% RPM
3. All motors have a 6" red and black connector wires from the motor.



MC20A-5K-12VDC-3RPM



olc On Line Controls Inc.

"Supplying high quality, precision, reliable and dependable products!"

On Line Controls, Inc, 697 Hartford Tpke Ste E, Shrewsbury, MA 01545 USA
Phone: 978-562-5353 * Fax: 978-562-8986 * Email: olc@onlinecontrols.com

CHECK OUT OUR WEBSITE: WWW.ONLINECONTROLS.COM